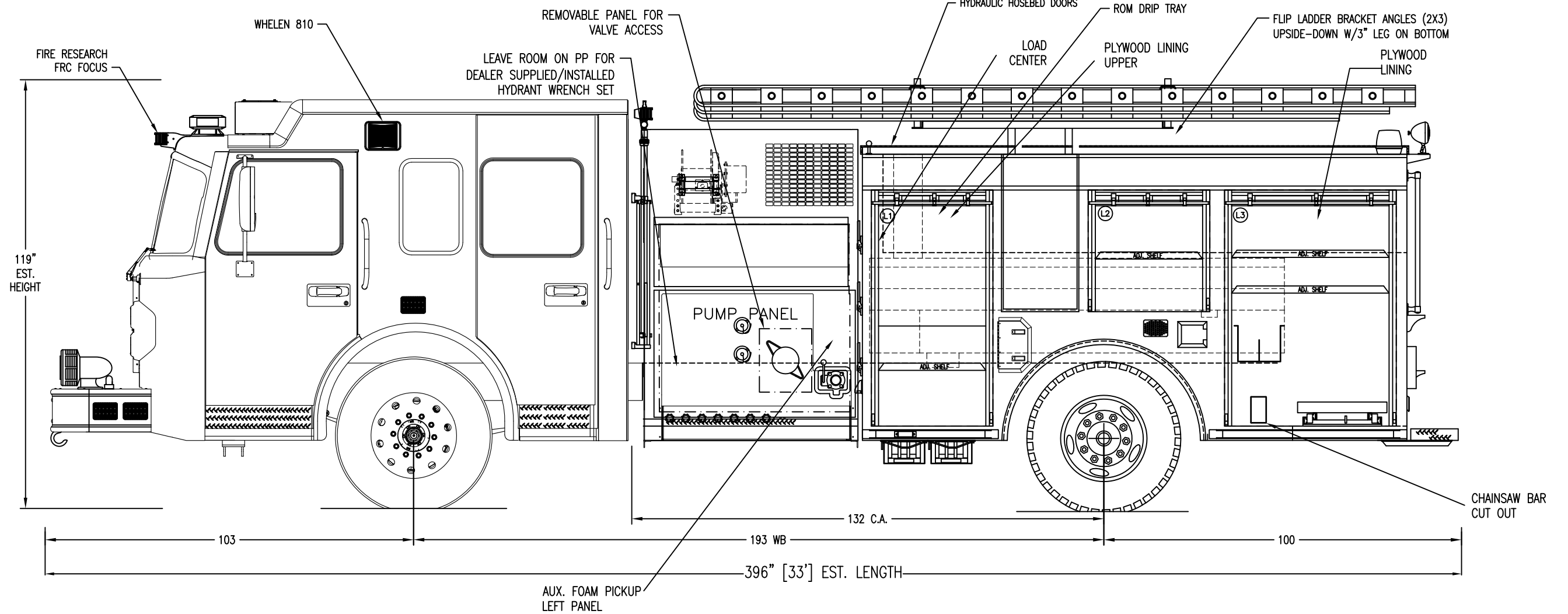
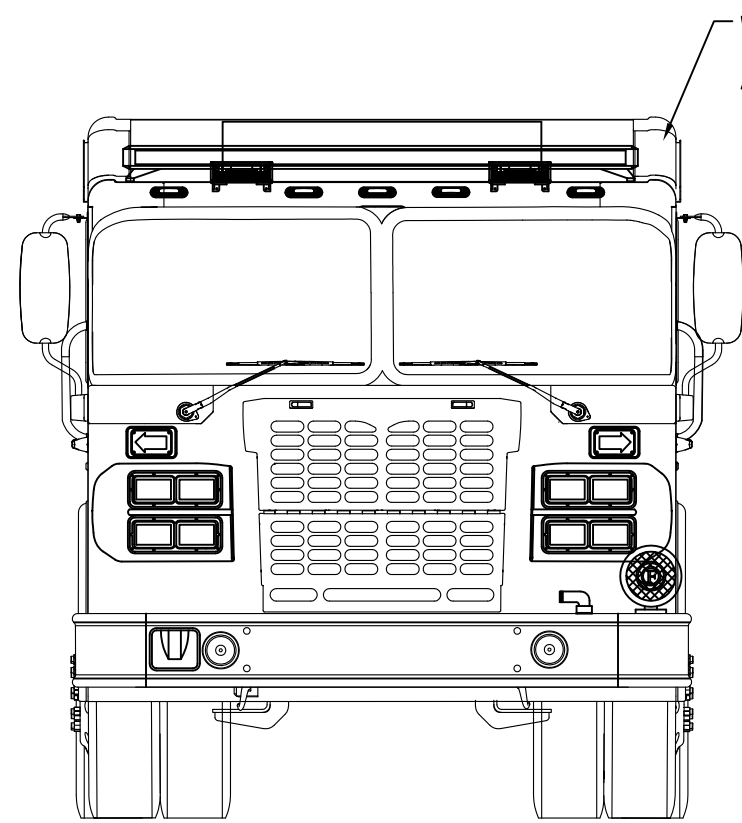
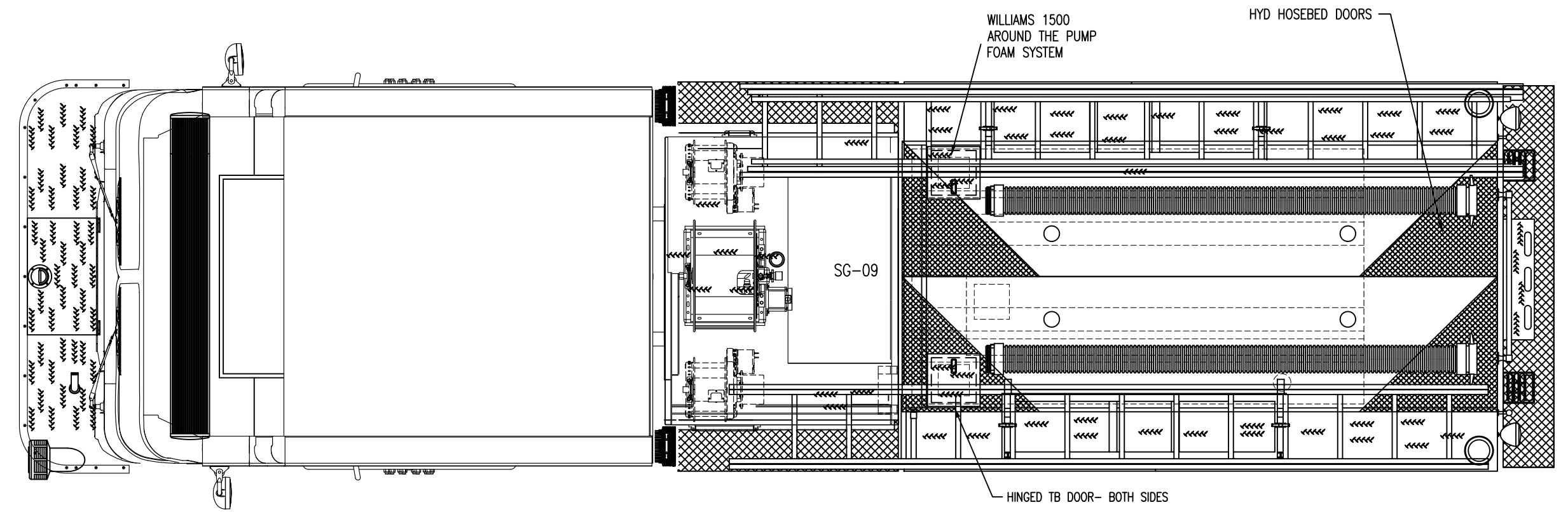


GROUND LADDERS & PIKE POLES			
ITEM	LADDER LENGTH	MODEL	QTY
A	40' 3 SEC	PEL3-40	1
B	28' 2 SEC	PEL-28	1
C	16' ROOF	PRL-16	2
D	10' ATTIC	FL-10	1
E	8' PIKE POLE	SPD-8	1
F	6' PIKE POLE	SPD-6	1
G			
H			
I			

COMPT.	OPENING	UPPER	DEPTH	LOWER
L1	31W X 62H	15.25	24.75	
L2	31W X 30H	15.25	N/A	
L3	45W X 62H	15.25	24.75	
T1	45W X 28H	32	32	
R1	31W X 62H	15.25	18	
R2	31W X 30H	15.25	N/A	
R3	45W X 62H	15.25	TRAN	
INTERMEDIATE DIVIDE HEIGHT				
L1/R1	28		L3/R3	30.25

- \* 100" WIDE BODY
- \* MODIFIED SUBSTRUCTURE
- \* NO DOUBLE BEND SWEEPOUTS
- \* HOSEBED & DIVIDES- ABRADED
- \* REMOVABLE LIPS ON ALL BUT L3 COMPARTMENTS
- \* 3/4" PIPE PLUG DRAINS ON ROT'S
- \* SHELVES AND TRAYS GRAY S-COAT

ROM DOORS PAINTED / NOT SILLS AND TRACKS  
ROM DOORS HAVE WATER DAM SILLS  
ON-SCENE COMPARTMENT LIGHTS



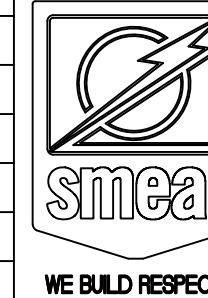
**NOTE:**  
DIMENSIONS SHOWN ARE APPROXIMATE AND ARE SUBJECT TO CHANGE AS MAY BE FOUND NECESSARY DURING CONSTRUCTION. MINOR DETAILS MAY NOT BE SHOWN.

THE DRAWING IS FOR REFERENCE PURPOSES ONLY. SOME ITEMS MAY OR MAY NOT APPEAR ON THE DRAWING THAT MAY OR MAY NOT BE INCLUDED IN THE SPECIFICATIONS. SPECIFICATIONS SHALL BE THE FINAL AUTHORITY TO BE DETERMINED WHAT IS SUPPLIED ON THE APPARATUS.

2000 GPM WATEROUS 2 STAGE PUMP  
500 GAL POLY TANK W/30 GAL FOAM CELL- 4" OVER FLOW  
ALUMINUM BODY  
122 CUBIC FT HOSE BED  
SPARTAN CHASSIS EMFD METROSTAR CLASSIC  
REMOVABLE LIP IN L1, L2, R1, R2, R3, T1  
NO MAP BOX  
NO EMS COMP

**FINAL APPROVAL**

Date	Approval Signatures	Revisions
	DEALER	
	FIRE CHIEF	
	SALES AD.	
	PRODUCTION	
	ENGINEERING	



Revisions			
SMEAL FIRE APPARATUS SNYDER, NE 68664			
CITY OF CHARLOTTE CHARLOTTE, NC			
Drawn by:	SDS	Scale:	3/8"=1'
Chk'd:		Date:	1/14/13
18 x 24		SD	Drawing No.: 4200