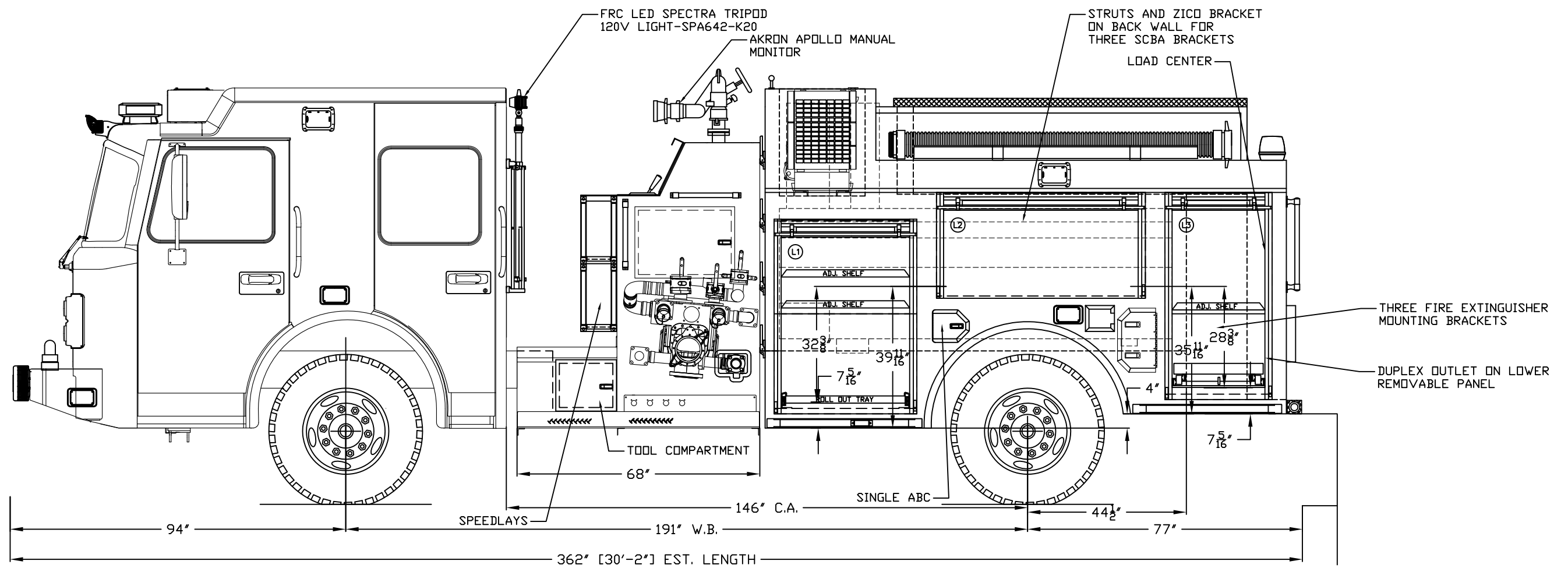
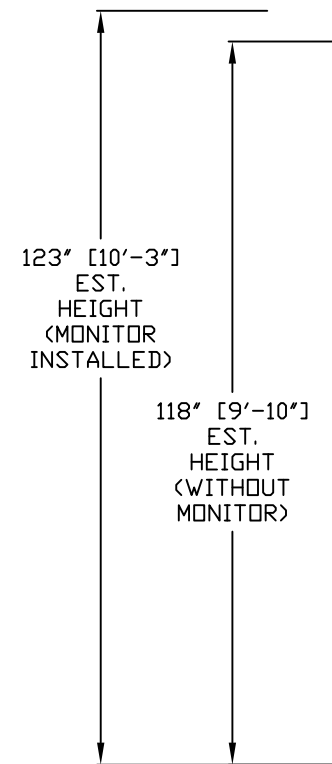
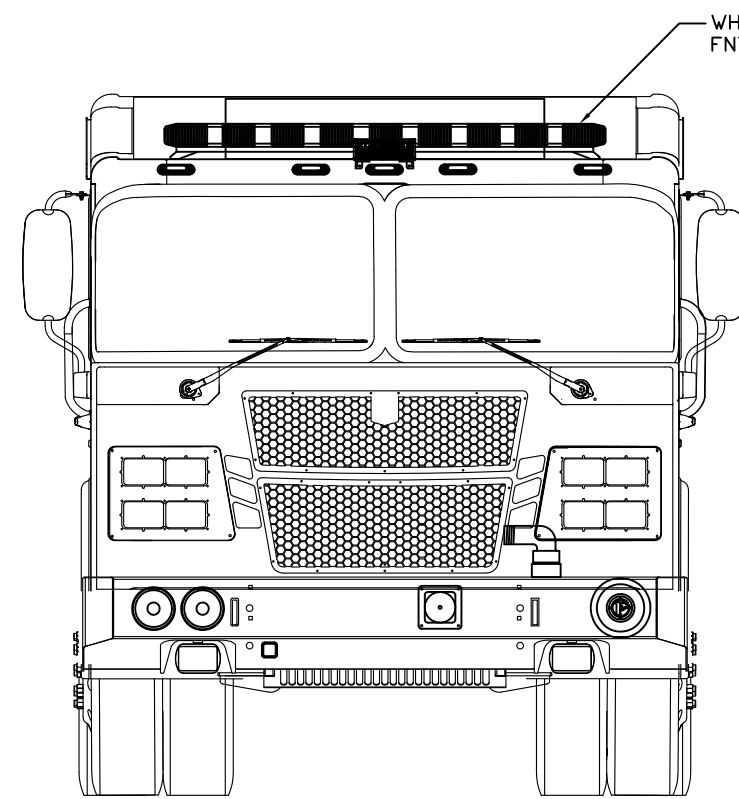
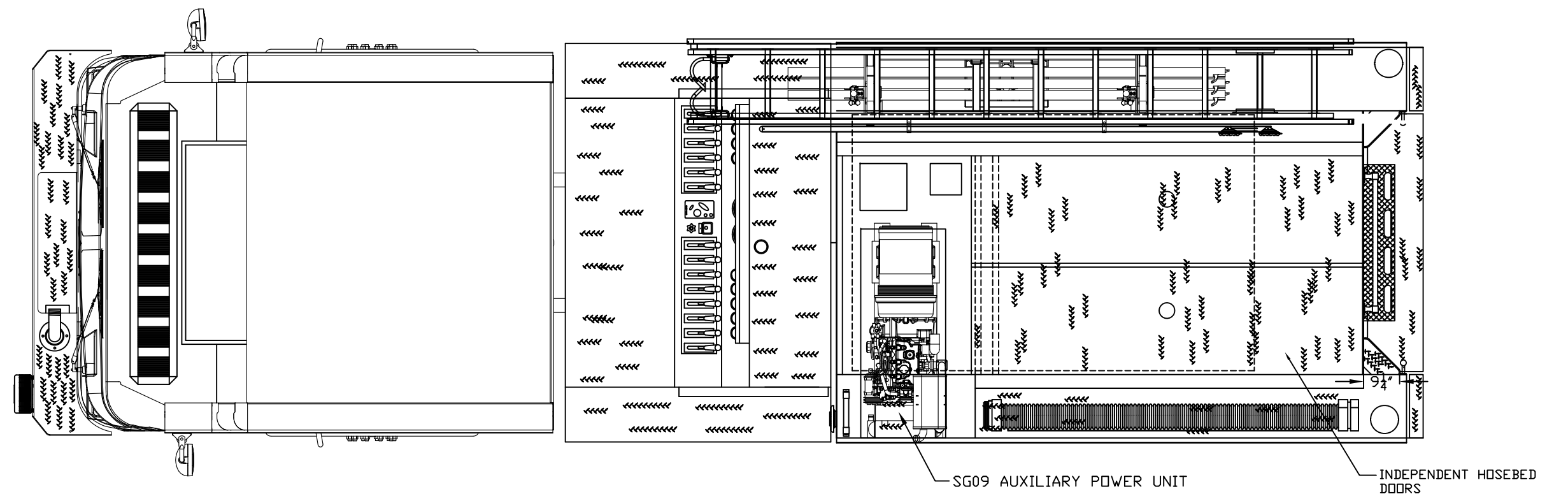


GROUND LADDERS & PIKE POLES			
ITEM	LADDER LENGTH	MODEL	QTY
A	24' 2 SEC	PEL-24	1
B	14' ROOF	PRL-14	1
C	10' ATTIC	FL-10	1
D	PIKE POLES		2
E	PIKEPOLE	SPD-6	1
F	PIKEPOLE	SPD-10	1
G			
H			
I			

COMPT.	OPENING	UPPER	DEPTH	LOWER
L1	37W X 48H	15.25	25.75	
L2	55W X 24H	15.25	N/A	
L3	27W X 51.5H	15.25	25.75	
R1	37W X 55.5H	15.25	25.75	
R2	30W X 24H	15.25	N/A	
R3	27W X 51.5H	15.25	25.75	
T1	35W X 28H	15	15	
INTERMEDIATE DIVIDE HEIGHT				
L1/R1	26.5		L3/R3	22.5/32.5



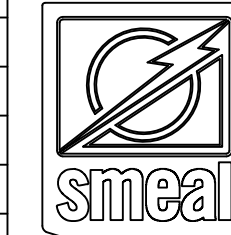
NOTE:
UNSPECIFIED DECKGUNS WILL NOT BE INCLUDED IN THE OVERALL HEIGHT OF THE VEHICLE. THE ADDITION OF A DECKGUN MAY INCREASE THE OVERALL HEIGHT OF THE VEHICLE.

NOTE:
DIMENSIONS SHOWN ARE APPROXIMATE AND ARE SUBJECT TO CHANGE AS MAY BE FOUND NECESSARY DURING CONSTRUCTION. MINOR DETAILS MAY NOT BE SHOWN.

PUMP: HALE QMAX 1500 GPM
TANK: POLY 750 GAL
FOAM: 20 GAL CELL
BODY: 409 SS
HOSE BED: 70 CUBIC FEET
COMPARTMENTS: 130 CUBIC FEET
CHASSIS: SMEAL SIRIUS II SMFD

SHOP ORDER

Date	Approval Signatures	Revisions
	DEALER	
	FIRE CHIEF	
	SALES AD.	
	PRODUCTION	
	ENGINEERING	



WE BUILD RESPECT.

Revisions
RP 3-18-14

SMEAL FIRE APPARATUS
SNYDER, NE 68664

CHEROKEE FIRE DEPARTMENT
CHEROKEE, NC

Drawn by: Ryan P	Scale: 3/8"=1'	Material:
Chk'd:	Date: 12/18/13	Drawing No.: 4316-17
18 x 24	SD	