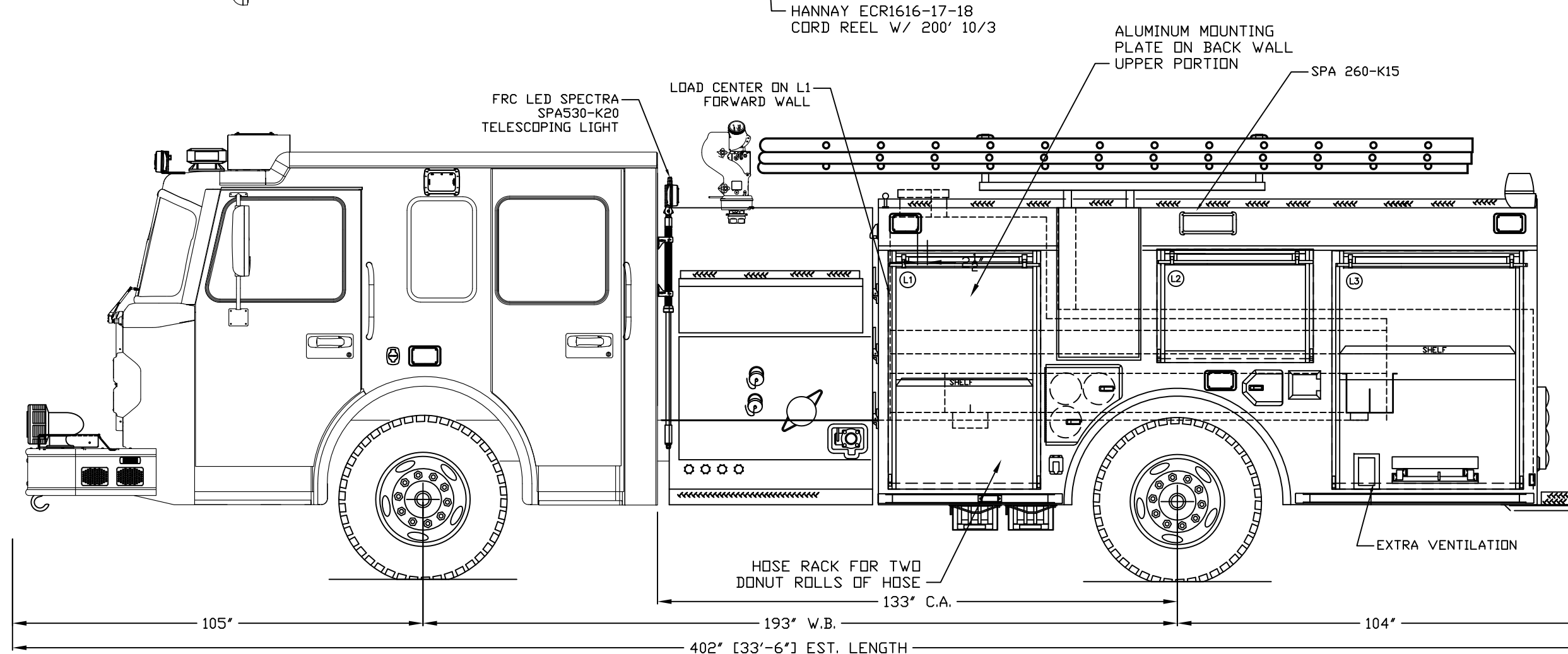
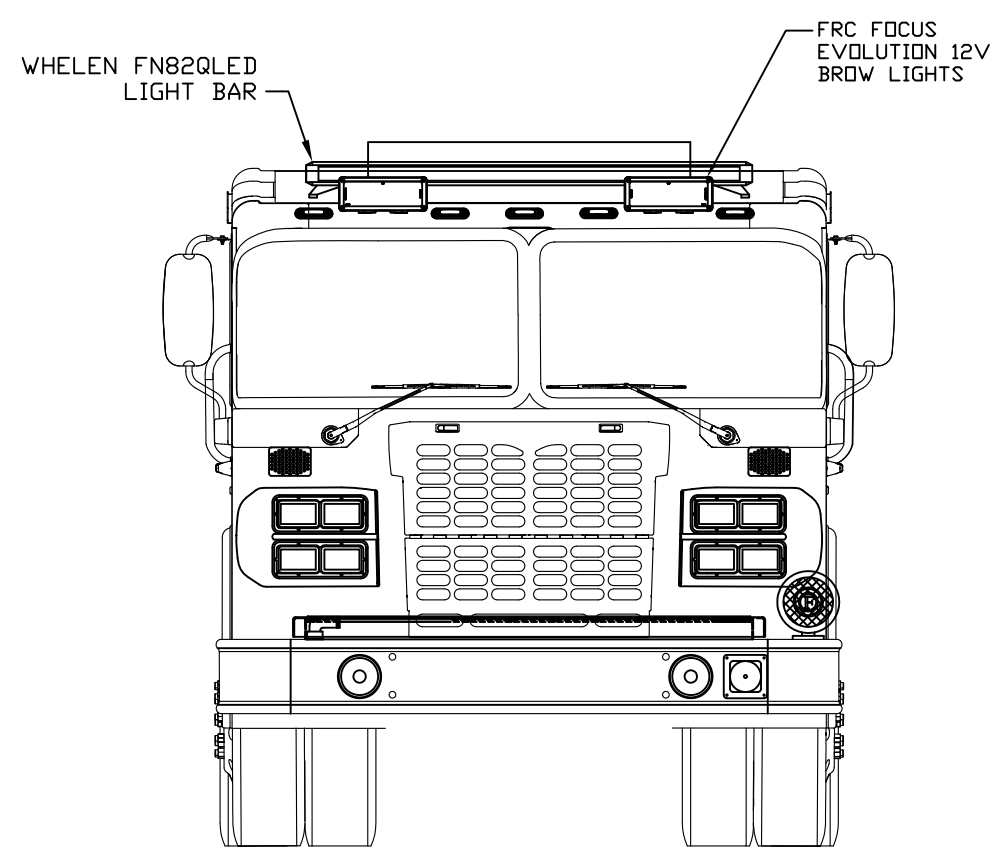
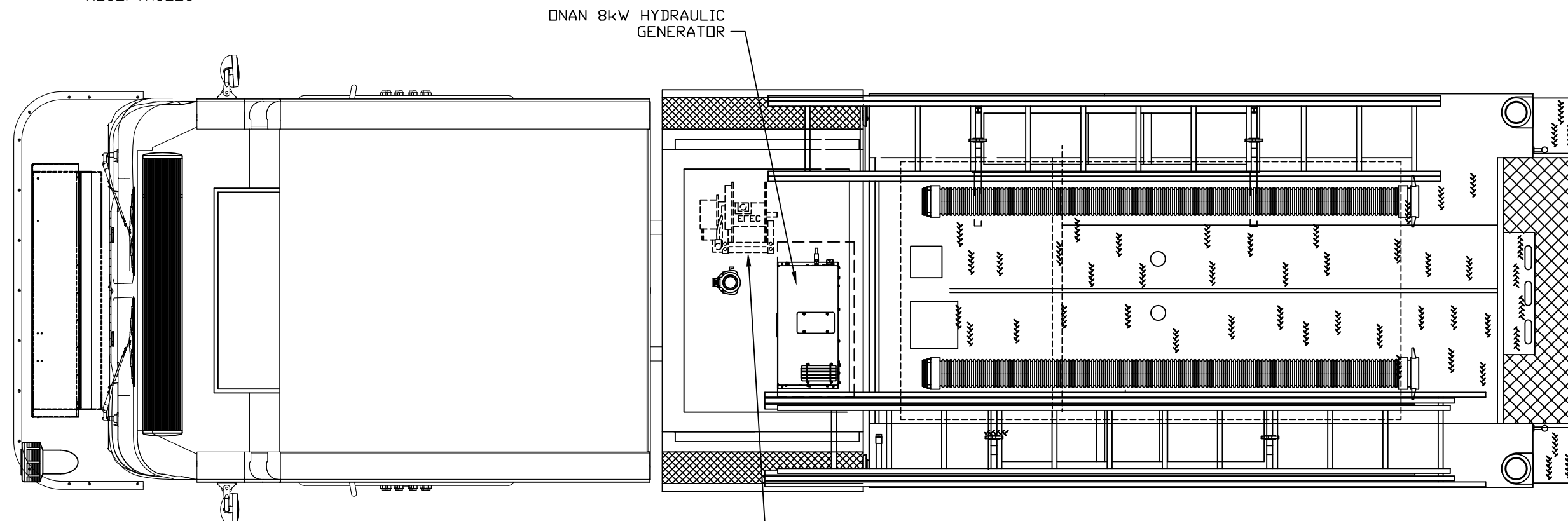


GROUND LADDERS & PIKE POLES			
ITEM	LADDER LENGTH	MODEL	QTY
A	24' 2 SEC	900A	1
B	16' ROOF	875A	2
C	10' ATTIC	585A	1
D	35' 3 SEC	1200A	1
E	14' ATTIC	585A	1
F	FH PIKE POLE	APH-8	2
G	FH PIKE POLE	A9H-10	1
H	FH PIKE POLE	APH-12	1
I	14' ATTIC	585-A	1

COMPT.	OPENING	UPPER DEPTH	LOWER
L1	36W X 55H	15.25	25.75
R1	36W X 55H	15.25	19
L2/R2	37W X 24H	15.25	N/A
L3	47W X 55H	15.25	TRAN
R3	47W X 55H	15.25	25.75
T1	39W X 20H	25	25
INTERMEDIATE DIVIDE HEIGHT			
L1/R1	26.5	L3/R3	26.5



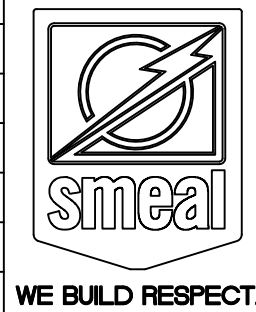
NOTE:
UNSPECIFIED DECKGUNS WILL NOT BE INCLUDED IN THE OVERALL HEIGHT OF THE VEHICLE. THE ADDITION OF A DECKGUN MAY INCREASE THE OVERALL HEIGHT OF THE VEHICLE.

NOTE:
DIMENSIONS SHOWN ARE APPROXIMATE AND ARE SUBJECT TO CHANGE AS MAY BE FOUND NECESSARY DURING CONSTRUCTION. MINOR DETAILS MAY NOT BE SHOWN.

PUMP: WATEROUS CMUC20 2000 GPM
TANK: POLY 750 USG
FOAM: 30 USG CELL
BODY: ALUMINUM
HOSE BED: 112 CUBIC FEET
COMPARTMENTS: 117 CUBIC FEET
CHASSIS: SPARTAN METRO STAR EMFD

SHOP ORDER

Date	Approval Signatures	Revisions
	DEALER	
	FIRE CHIEF	
	SALES AD.	
	PRODUCTION	
	ENGINEERING	



Revisions		SMEAL FIRE APPARATUS	
CL 4-28-14		SNYDER, NE 68664	
		HUNTERSVILLE FIRE DEPARTMENT	
		HUNTERSVILLE, NC.	
Drawn by: S. STUMPE	Scale: 3/8"=1'	Material:	
Checked:	Date: 12/18/13	Drawing No:	4313-15
		18 x 24	SD