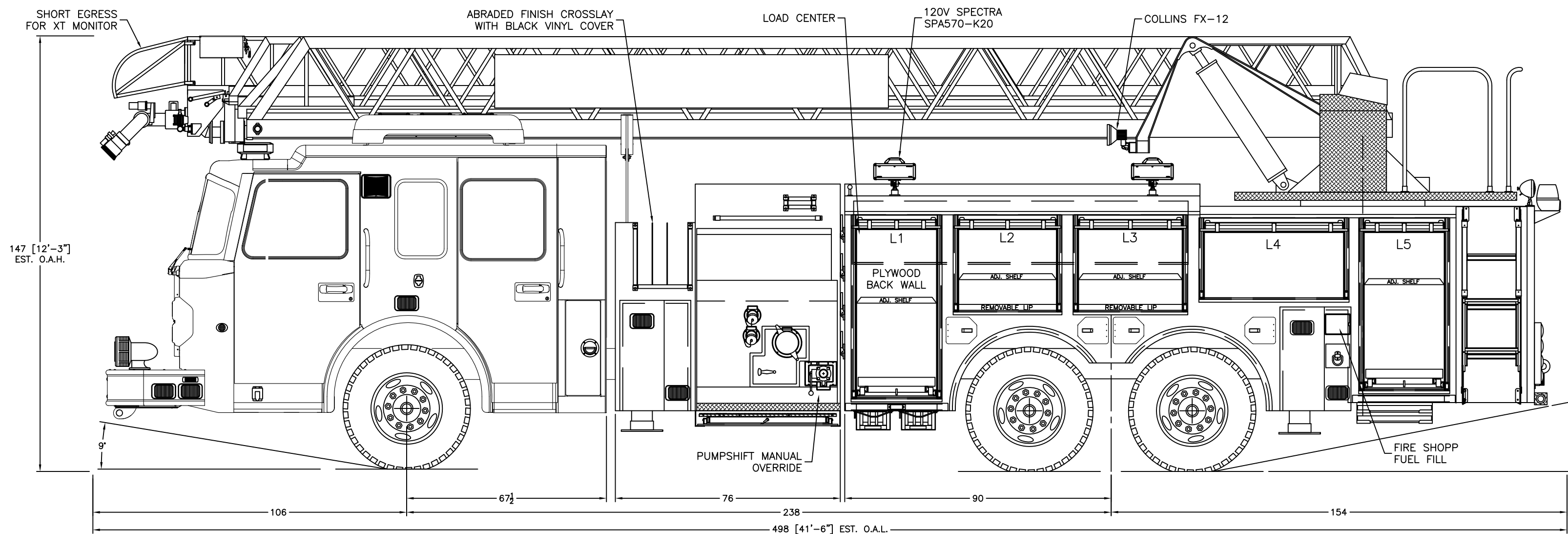
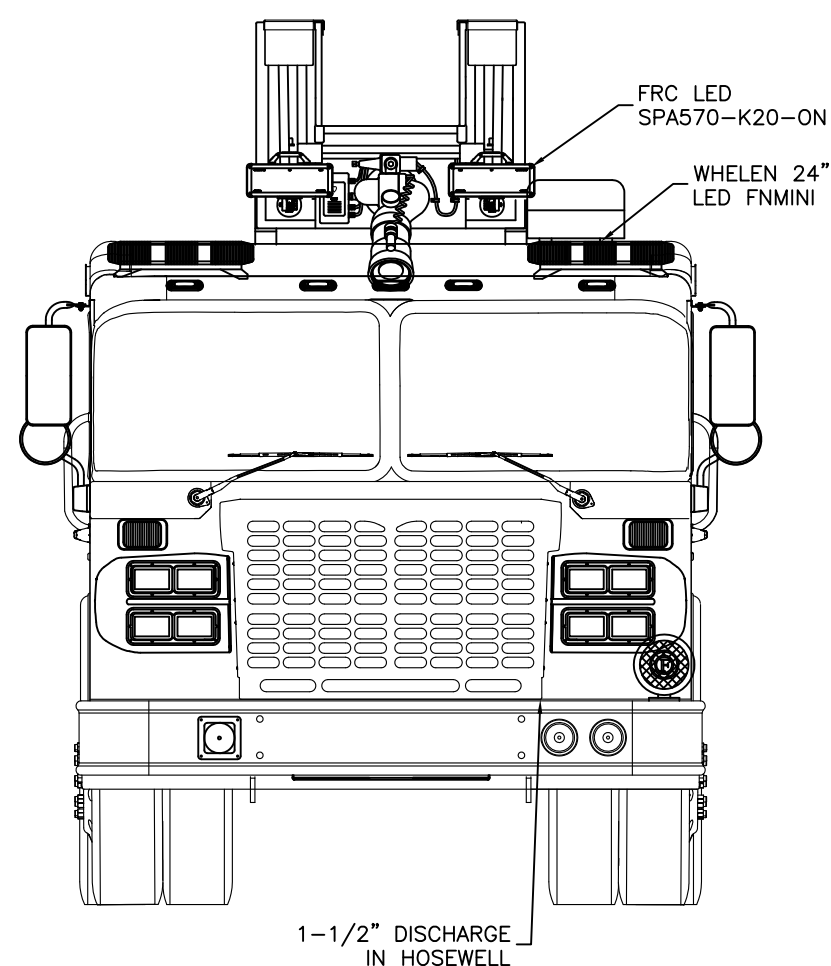


GROUND LADDERS & PIKE POLES			
ITEM	DESCRIPTION	MODEL	QTY
A	40' 3 SEC	PEL3-40	1
B	35' 3 SEC	PEL3-35	1
C	28' 2 SEC	PEL-28	1
D	16' ROOF	PRL-16	2
E	10' ATTIC	FL-10	1
F	17' LITTLE GIANT	10102	1
G	6' PIKE POLE	SPD-6	2
H	8' PIKE POLE	SPD-8	2
I	12' PIKE POLE	SPD-12	2

COMPT.	OPENING	UPPER	DEPTH	LOWER
L1	27W x 56H	23	23	
L2	33W x 27H	23	-	
L3	35W x 27H	23	-	
L4	47W x 22H	23	-	
L5	27W x 53H	23	23	
R1	27W x 56H	23	15	
R2	33W x 27H	23	-	
R3	51W x 22H	-	23	
INTERMEDIATE DIVIDE HEIGHT				
R1	17	-	-	

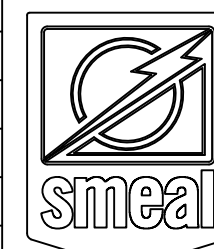


**NOTE:**  
DIMENSIONS SHOWN ARE APPROXIMATE AND ARE SUBJECT TO CHANGE AS MAY BE FOUND NECESSARY DURING CONSTRUCTION. MINOR DETAILS MAY NOT BE SHOWN.

CHASSIS: SPARTAN LFD 5" RAISED ROOF  
PUMP: WATEROUS CMUC20 2000 GPM  
WATER TANK: 400 GAL  
HOSE BED: 800' OF 5"  
GENERATOR: ONAN 15kW 15RBAB  
COMPARTMENTS: 185 CUBIC FEET  
ON SCENE COMPARTMENT LIGHTING

**FINAL APPROVAL**

Date	Approval Signatures	Revisions
	DEALER	
	FIRE CHIEF	
	SALES AD.	
	PRODUCTION	
	ENGINEERING	



Revisions	
KS	REVISED 01/16/13
ML	REVISED 07/24/13

SMEAL FIRE APPARATUS  
SNYDER, NE 68664  
HUNTERVILLE, NC  
105' AERIAL

Drawn by:	KS	Scale:	3/8"=1'	Material:	
Chk'd:		Date:	06/27/12	Drawing No.:	4159
			SD		

THE DRAWING IS FOR REFERENCE PURPOSES ONLY. SOME ITEMS MAY OR MAY NOT APPEAR ON THE DRAWING THAT MAY OR MAY NOT INCLUDED IN THE SPECIFICATIONS. SPECIFICATIONS SHALL BE THE FINAL AUTHORITY TO BE DETERMINED WHAT IS SUPPLIED ON THE APPARATUS.